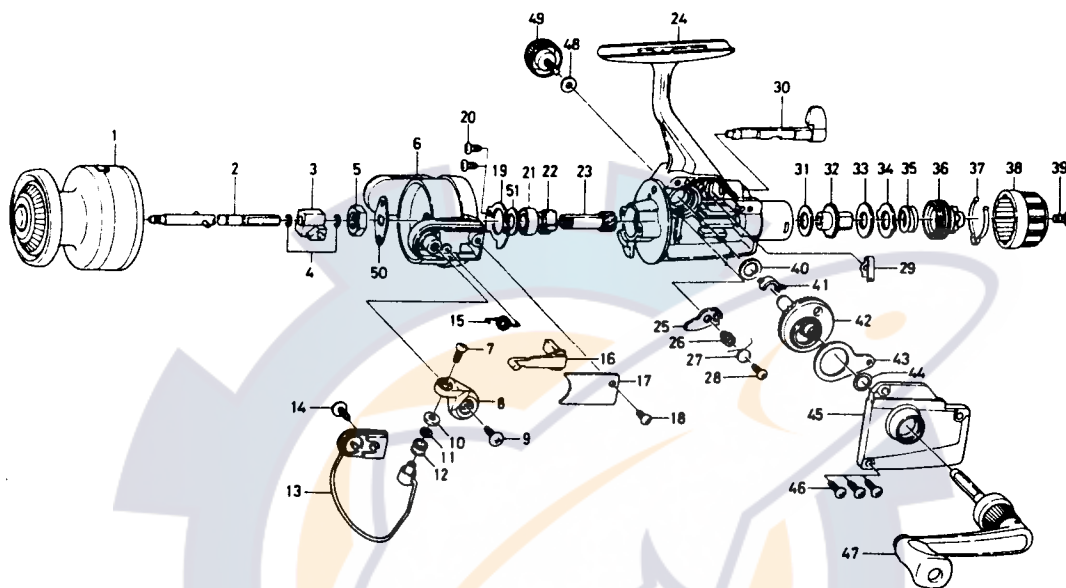




# SPINNING REEL AG750B



Key No.	Parts No.	Parts Name	Key No.	Parts No.	Parts Name
1	E09-8005	Spool assembly	27	E95-9601	Anti-reverse pawl spring
2	E03-6401	Main shaft assembly	28	E02-7401	Anti-reverse pawl screw
3	B98-6501	Oscillating slider	29	B58-8601	Anti-reverse lever spring
4	E04-0601	Oscillating slider retainer	30	E03-2803	Anti-reverse lever
5	342-4001	Rotor nut	31	B58-9104	Drag washer A
6	L90-3901	Rotor	32	E03-5101	Click gear
7	352-2502	Line roller screw	33	B58-9106	Drag washer B
8	E03-3901	Bail arm	34	B58-9501	Eared washer
9	B84-2102	Bail arm screw	35	B58-9801	Drag coil spring
10	B97-9801	Line roller collar	36	E03-3101	Drag screw
11	B55-4301	Line roller washer	37	E03-3201	Drag washer spring
12	250-3921	Line roller	38	L90-0701	Drag knob
13	E03-4201	Bail	39	353-8203	Drag knob screw
14	B93-3001	Bail trip cam screw	40	E03-4501	Drive gear washer A
15	E03-4001	Bail spring	41	B96-0801	Drive gear collar
16	E03-3801	Bail trip lever	42	E03-6301	Drive gear
17	E03-4103	Bail spring cover	43	481-1331	Oscillating slider
18	B93-3001	Bail spring cover screw	44	375-8500	Drive gear washer B
19	E03-3701	Bearing retainer	45	L90-0802	Side cover
20	B93-3001	Bearing retainer screw	46	B83-5002	Side cover screw
21	L90-4001	Ball bearing	47	L90-1201	Handle assembly
22	E11-4201	Anti-reverse ratchet	48	B92-4901	Handle lock washer
23	E03-6101	Pinion gear	49	E03-5501	Handle lock screw
24	L90-4101	Body	50	E09-7601	Rotor nut holding plate
25	E03-2901	Anti-reverse pawl	51	B12-8701	Bearing washer
26	E03-3001	Anti-reverse pawl collar			